

CLAMP 夾具

MODEL CA



CA



CA-B



CA-C

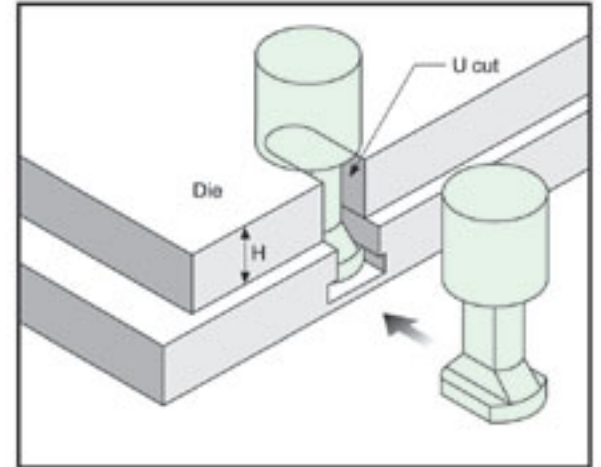
THE CHOICE OF THE MODEL 型式選定



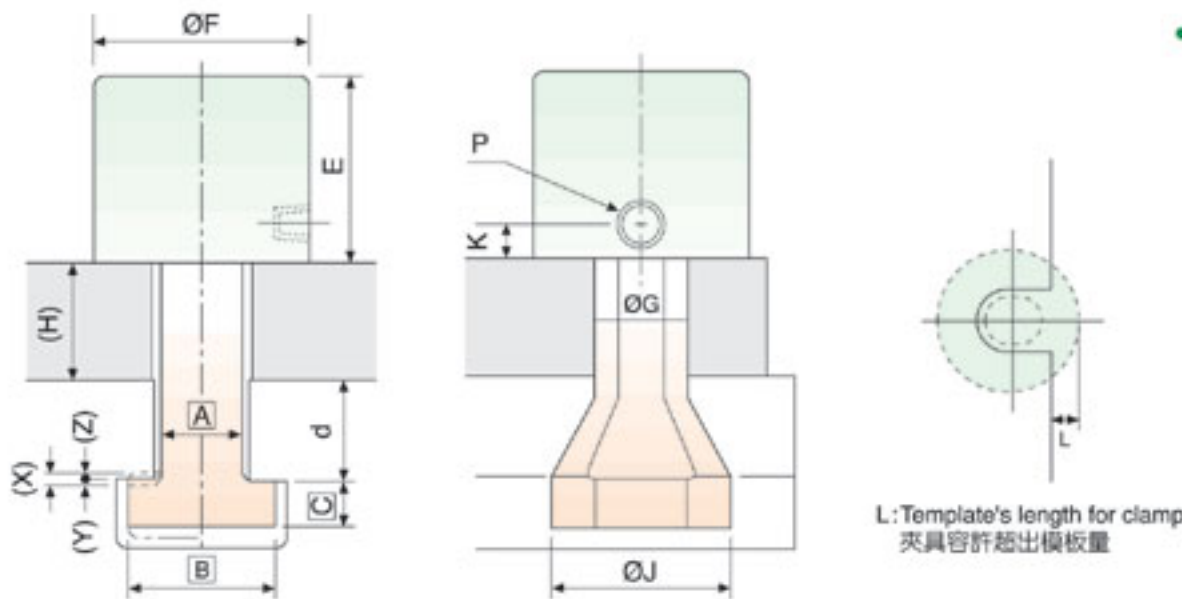
Capacity of clamp / 夾力: 2~25 (tons)

- **EMPTY**: Standard type
無標示: 標準式
- **C**: Pneumatic cylinder movable type
氣缸移動式
- **B**: Fixed type
固定式
- **V**: Temperature-resisting type
耐高溫式

MODEL 型式	CA-1	CA-2	CA-4	CA-6	CA-10	CA-16	CA-25
Capacity of clamp (hydraulic 250kgf/cm ²) 夾力 (油壓250kgf/cm ²) tons	1	2	4	6	10	16	25
Full stroke (X) 總行程 (X) mm	6	8	8	8	8	8	8
Stroke of die clamp (Y) 夾具行程 (Y) mm	3	4	4	4	4	4	4
Preserved stroke (Z) 預留行程 (Z) mm	3	4	4	4	4	4	4
Volume of hydraulic cylinder (total stroke) 油缸容量 (總行程) cc	3	7	13	21	32	54	76



- Please indicate the size of T slot (a,b,c,d) and the thickness (H) of the template for die clamp mold when purchasing.
- The tolerance of the template thickness (H) allowed: $H \pm 2$
- 訂購時請指明T槽尺寸(a,b,c,d)及夾模處模板厚度(H)
- 模板厚度允許公差: $H \pm 2$
- T slot



Unit:mm

MODEL 型式	ØF	E	ØG	ØJ	max. H+d	max. L	min. a	K	P
CA-1	40	39	13	30	60	12	8	9.5	PT1/8
CA-2	53	52	18	48	80	17	12	12	
CA-4	65	58	25	58	90	20	16	15	
CA-6	82	65	32	64	100	25	18	15	PT1/4
CA-10	99	71	40	78	110	30	22	15	
CA-16	126	82	50	88	120	38	28	17	
CA-25	150	100	60	98	140	45	36	23	

- The sizes of clamps [A], [B] and [C] are based on the size of T slot.
- If the thickness of clamp (H+d) is more than the maximal value listed on the left, it will be regarded as special pattern.
- 夾具 [A][B][C] 尺寸係配合T槽尺寸製作
- 夾緊處厚度(H+d)處超出左邊最大值, 屬特殊式樣。

CLAMP 夾具

MODEL CB



CB



CB-B



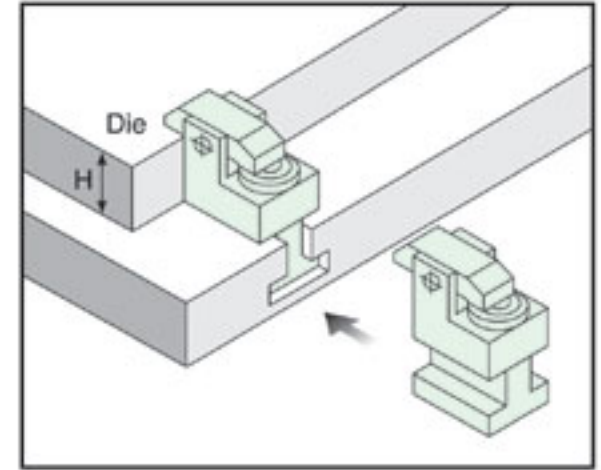
CB-C

THE CHOICE OF THE MODEL 型式選定



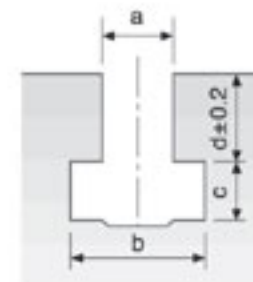
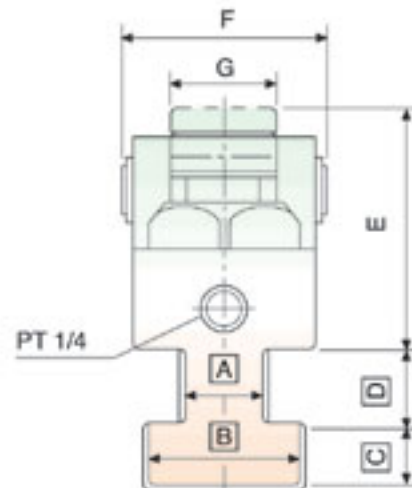
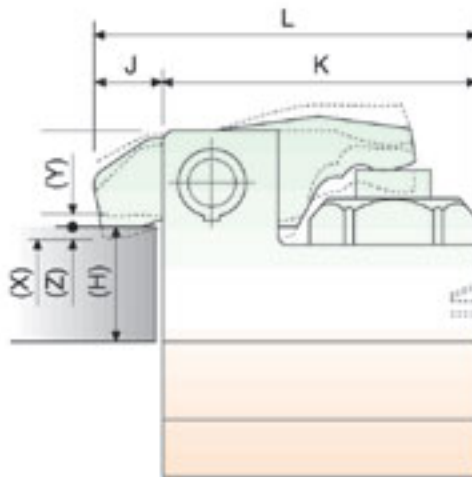
Capacity of clamp / 夾力: 2~25 (tons)

- **EMPTY**: Standard type
無標示: 標準式
- **C**: Pneumatic cylinder movable type
氣缸移動式
- **B**: Fixed type
固定式
- **V**: Temperature-resisting type
耐高溫式



MODEL 型式	CB-1	CB-2	CB-4	CB-6	CB-10	CB-16	CB-25
Capacity of clamp(hydraulic 250kgf/cm ²) 夾力 (油壓250kgf/cm ²) tons	1	2	4	6	10	16	25
Full stroke (X) 總行程 (X) mm	6	8	8	8	8	8	8
Stroke of die clamp (Y) 夾具行程 (Y) mm	3	4	4	4	4	4	4
Preserved stroke (Z) 預留行程 (Z) mm	3	4	4	4	4	4	4
Volume of hydraulic cylinder(total stroke) 油缸容量 (總行程) cc	3	7.5	13	21	38	55	98

- Please indicate the size of T slot (a,b,c,d) and the thickness (H) of the template for die clamp mold when purchasing.
- The tolerance of the template thickness (H) allowed: $H \pm 2$
訂購時請指明T槽尺寸 (a,b,c,d) 及夾模處模板厚度 (H)
- 模板厚度允許公差: $H \pm 2$
- T slot



Unit: mm

MODEL 型式	L	K	J	min.(H)	min. E	F	G	min. a	min. C	P
CB-1	74.5	60	14.5	25	42	44	20	10	6.5	PT1/8
CB-2	110	90	20	25	73	68	32	14	10	PT1/4
CB-4	134	110	24	25	77	79	40	18	12	
CB-6	159	130	29	30	92	96	46	22	14	
CB-10	189	159	30	40	114	117	54	24	16	
CB-16	230	200	30	40	126	129	58	28	20	
CB-25	265	235	30	45	148	156	70	36	23	

- The sizes of clamps A B C and D are made based on the size of T slot.

- 夾具 A B C D 尺寸係配合T槽尺寸製作