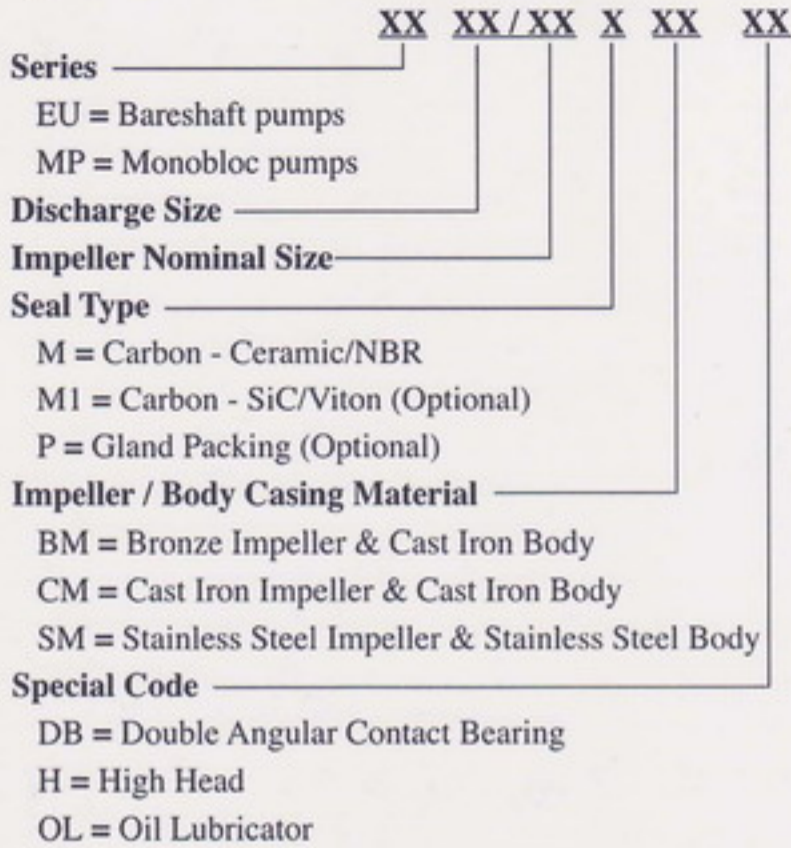
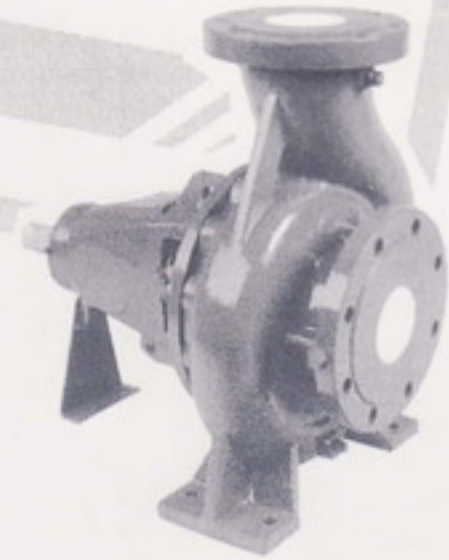




Eg. EU 32/13 MBM DB



EU Series - Bare Shaft Pumps



Working Principles

The **EUROFLO** range of pumps complies fully to the international standard DIN 24255. This standard covers both performance and dimensions.

This pump includes the back pull-out design, and when a suitable spacer coupling is fitted to a direct coupled unit, the casing and motor can remain in position while all other pump parts can be removed for simple and quick maintenance. The volute casing is fitted with a replaceable wear ring and has a suction vane to give smooth flow into the double shrouded hydraulically balanced impeller.

Only four shaft assemblies are required to cover the total range, and this gives many common interchangeable parts for pumps fitted to the same shaft.

Standard pump is fitted with mechanical seal and optional packed stuffing box incorporating a lantern ring which includes internal flushing by the liquid being pumped, or can be converted to external flushing.

Pumps can be supplied as a bare shaft unit, or in many other arrangements, including complete with coupling, guard, baseplate and either electric motor or engine driven.

- Design** : Horizontal, single-stage volute casing pumps with dimensions and nominal ratings to DIN 24255
- Type** : End Suction, centrifugal back pull-out
- Flange** : DIN 2332 PN 10 RF (available in ANSI 150 RF upon request)
- Direction of Rotation** : Clockwise as viewed from the drive side

- Material :**
- Casing - Cast iron standard; optional bronze & stainless steel
 - Impeller - Bronze standard; optional cast iron & stainless steel
 - Shaft - Stainless steel SUS 420
 - Shaft Seal - Mechanical seal standard; optional gland packing

- Operating Range**
- Flowrate (Q) : 2 - 1100m³ /hr
 - Total head (H) : 2 - 150m
 - Speed (Ns) : 1450 - 2900 rpm (50Hz)
1750 - 3500 rpm (60Hz)
 - Temperature : -10° C to 105° C standard; optional 150° C
 - Casing pressure : 10 Bar standard; 16 Bar available upon request

Shaft Sealing

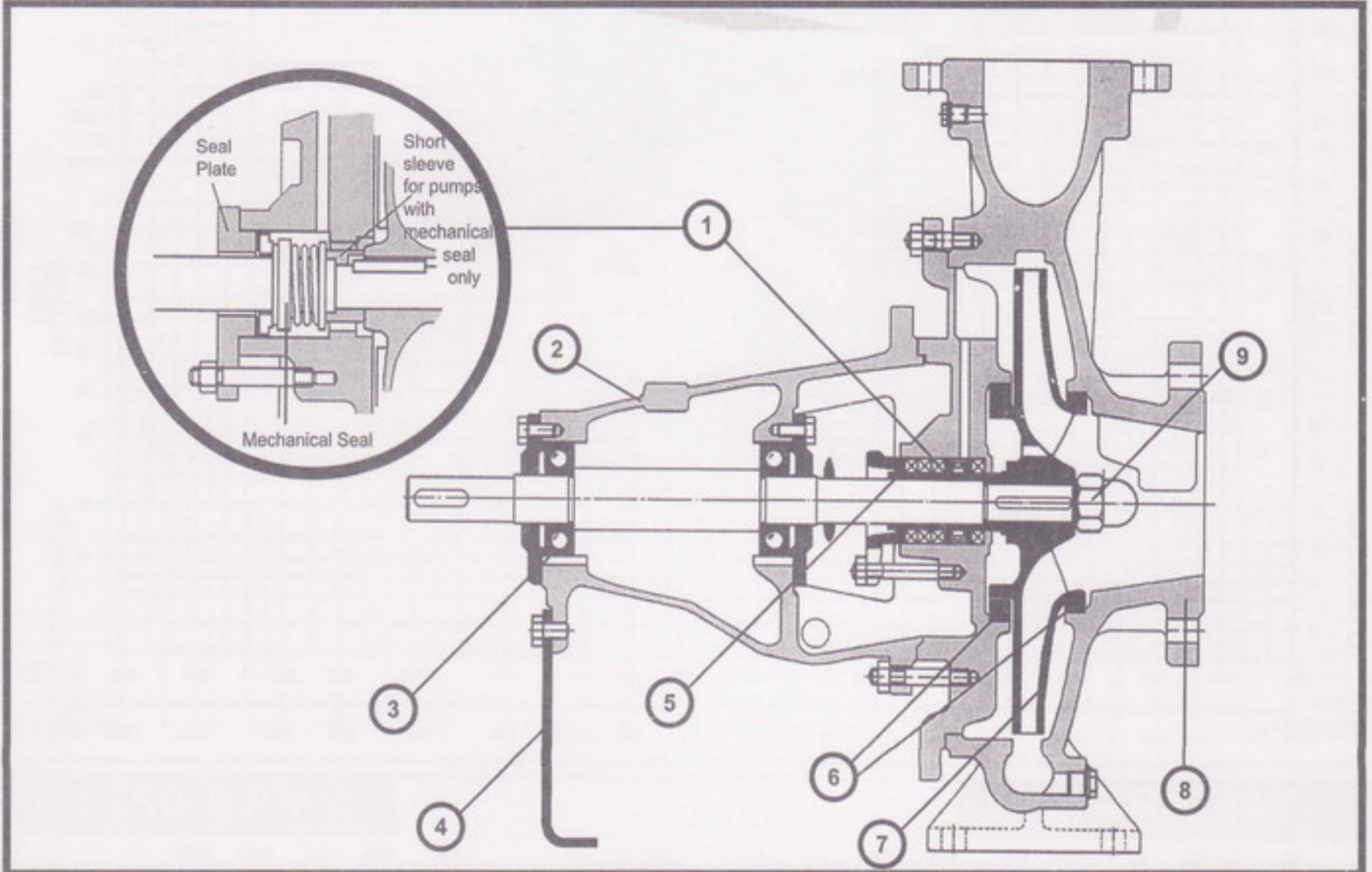
Sealing of the shaft can be affected either by a stuffing box or mechanical seal, as required:

Code	Description	Temperature Range
P	Uncooled stuffing box (gland packing)	-10°C to 110°C
*M	Single mechanical seal Carbon - Ceramic / NBR	-10°C to 105°C
M1	Single mechanical seal Carbon - SiC / Viton	-10°C to 150°C

*Standard with all pumps (P, M1 optional)
- Other types of mechanical seal available on request.

Euroflo pumps have 44 standard greased lubricated models with an additional 4 models with reinforced bearings and larger pedestal housing for heavy duty performance (H type). At 2 and 4 pole speeds for 50 and 60 Hz operation with an option for 16 bar working pressure available. Euroflo pumps have dimensions and nominal ratings to DIN 24255 based on the process principle where it allows for dismantling of the complete bearing housing towards the drive end without the pump casing having to be disconnected from the piping. If a spacer type coupling is used it is unnecessary to disconnect the motor.

Euroflo range requires only four bearings housing. Within a given shaft unit, shaft, shaft seal, impeller nut and bearings are interchangeable.

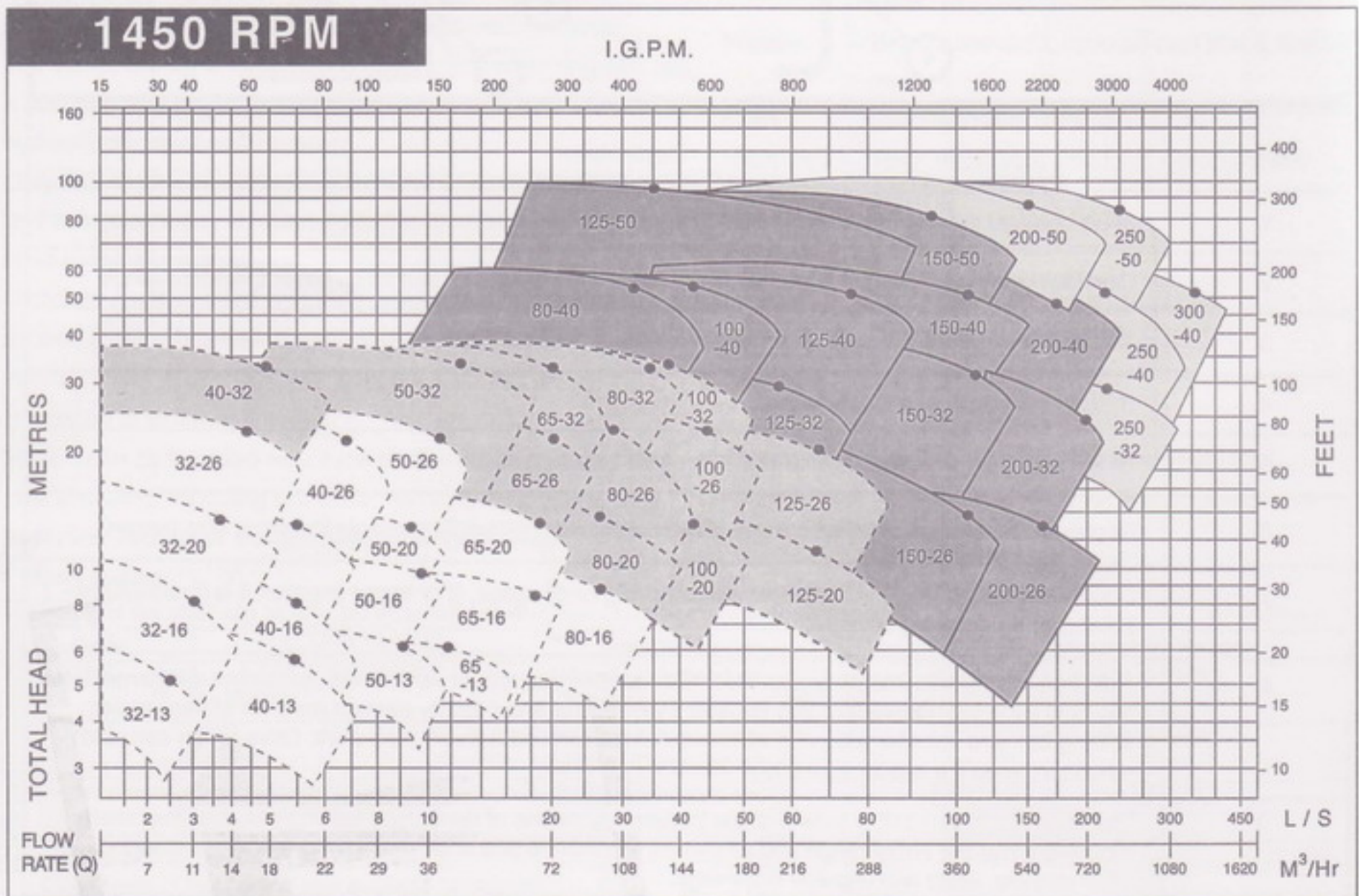
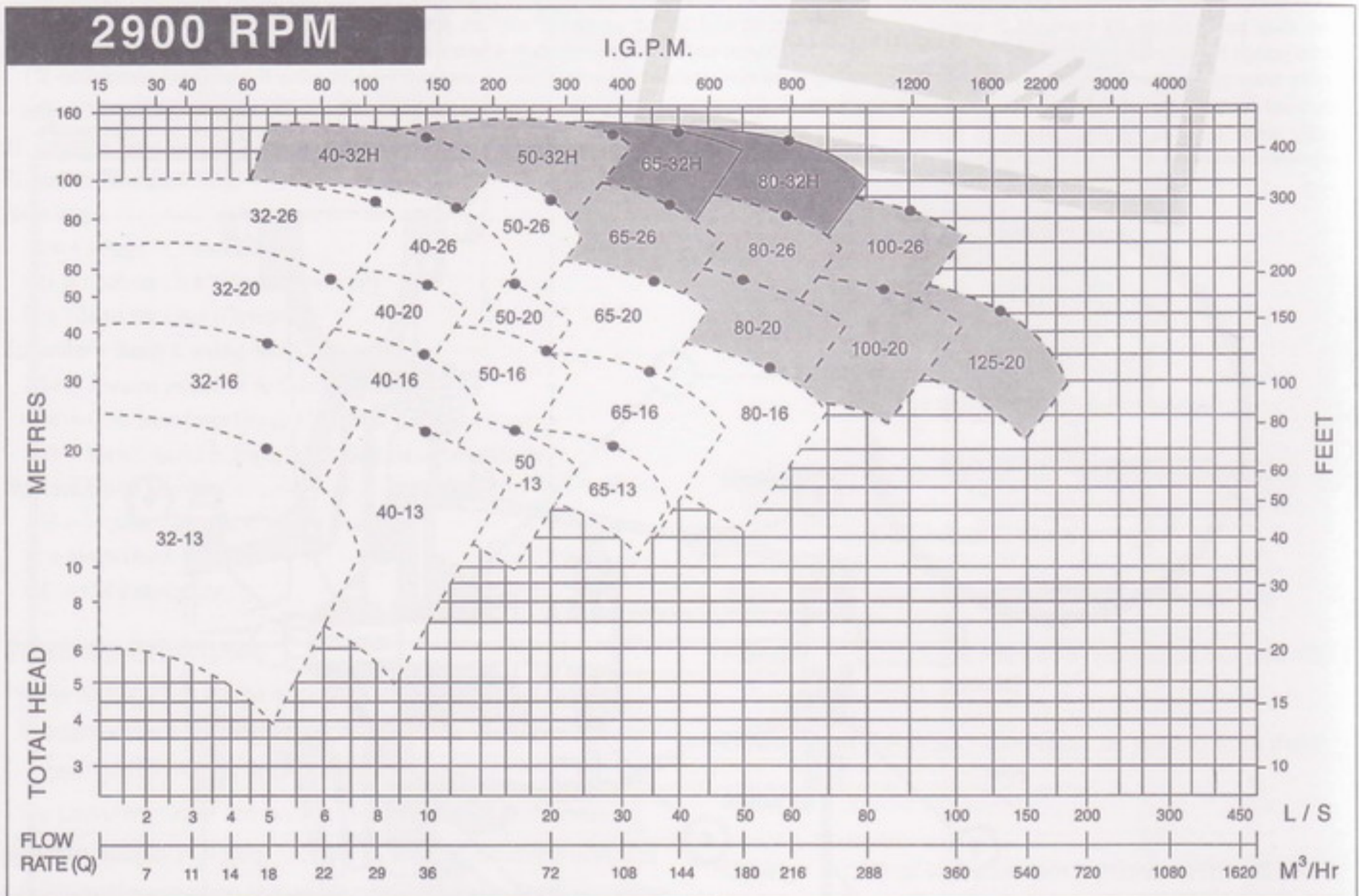


No.	Descriptions
1	Shaft sealing in mechanical seal or gland packing. Other material of selection available upon request.
2	Cast iron bearing housing secured to cover plate and volute. Only four sizes cover the entire range.
3	ZZ bearing in grease lubricated - Available in other options. Please refer to Special Code.
4	Removable bend-plate foot support.
5	Shaft protection sleeve. (Only available for gland packing model)
6	Replaceable volute casing wear rings. (Back cover wear rings only available for larger size pumps)
7	Double shrouded design of impeller with balancing back vanes. (For larger impeller, it is hydraulically balanced by balancing holes)
8	Cast iron casing with integrally cast feet. Axial suction and robust vertical top centre-line discharge. Inlet has cast vane to improve flow into impeller eye. Back pull-out facility permits removal of back cover, stuffing box and impeller without disturbance of suction and delivery pipe work. Drive motor can also remain in place if a spacer coupling is fitted.
9	The stainless steel shaft is sealed at the impeller by means of dome type locking nut. Just four shaft modules cover the entire range and all pumps common to one shaft module have identical bearings, shaft sleeves, seals and impeller fastenings.



EUROFLO

EU & MP Series - 50Hz Performance

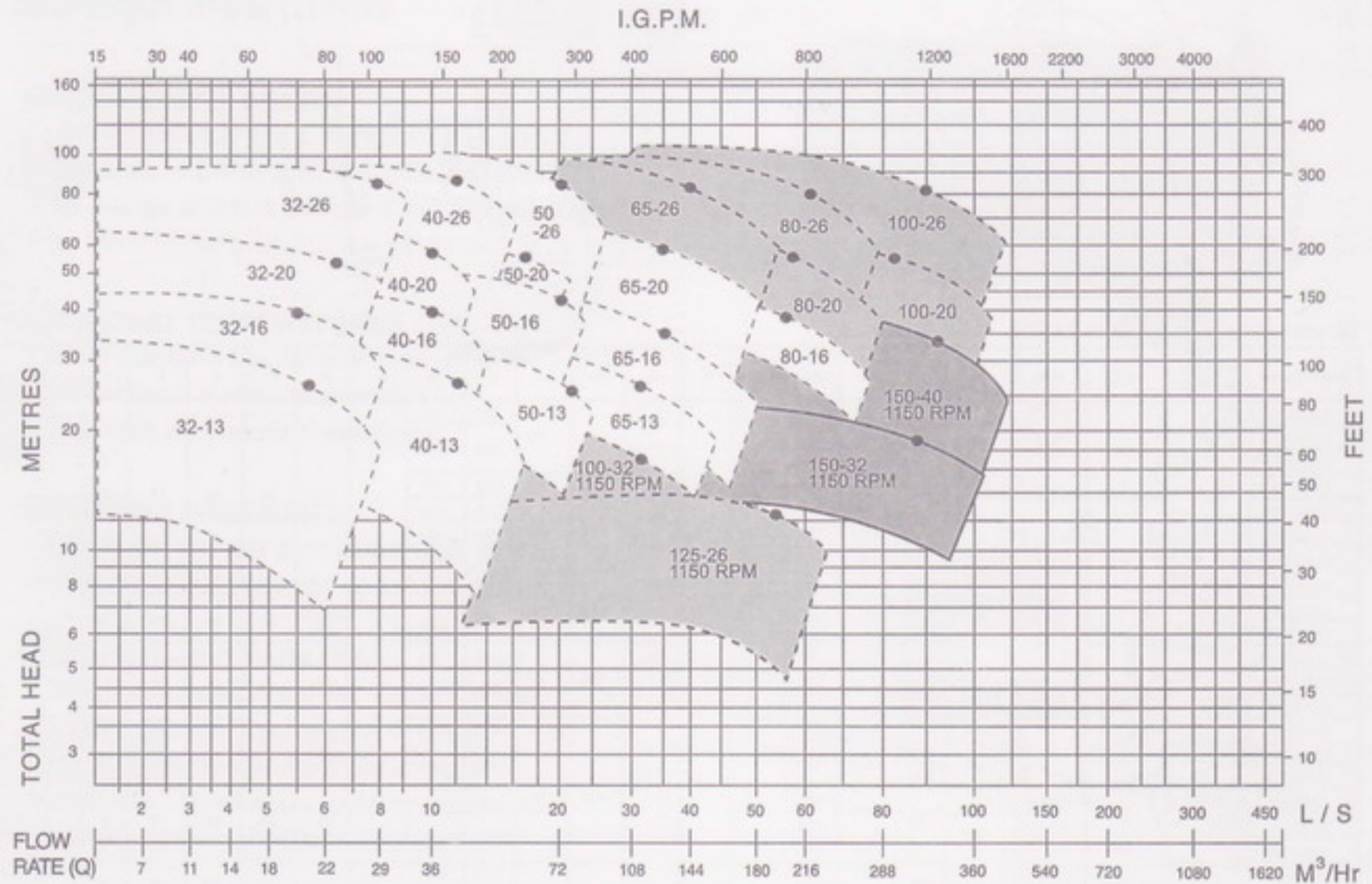




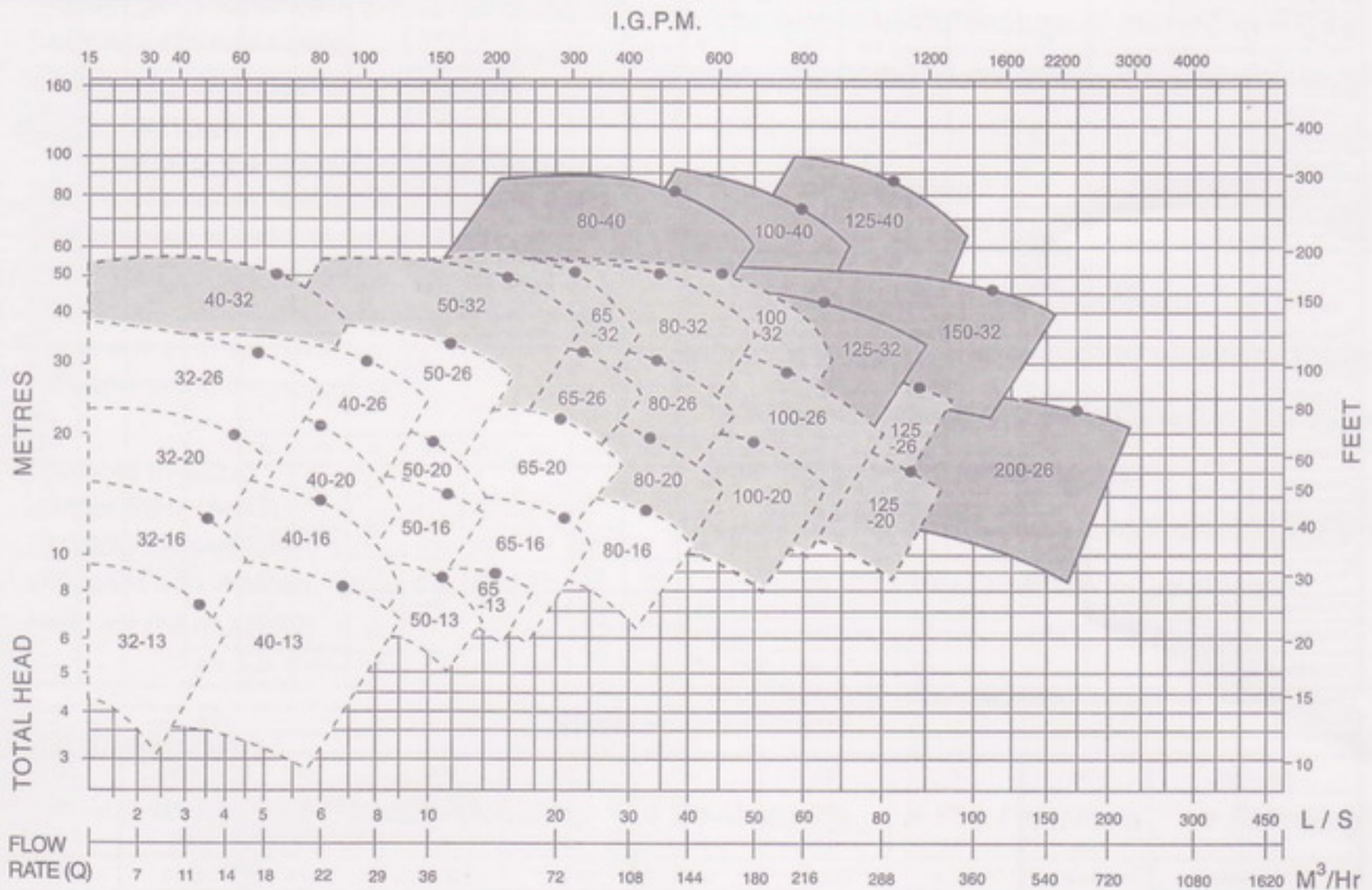
EUROFLO

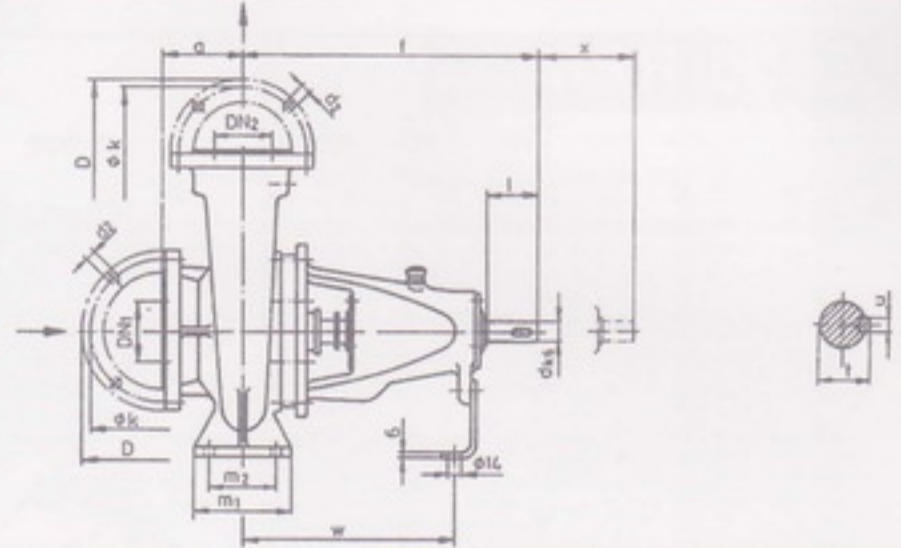
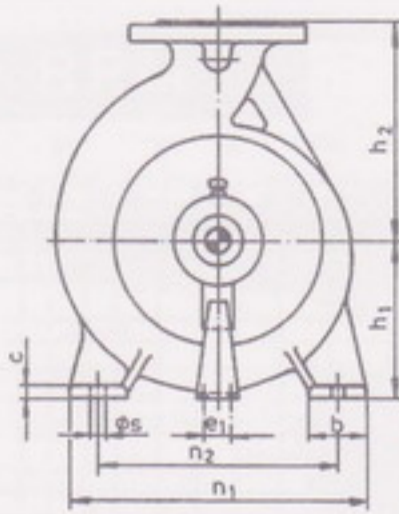
EU & MP Series - 60Hz Performance

3500 RPM



1750 RPM





Dimensions in mm, DIN 24255

Pump Model	Bearing housing	DN ₂	DN ₁	a	f	h ₁	h ₂	b	c	e ₁	m ₁	m ₂	n ₁	n ₂	s	w	d	l	t	u	x										
EU32/13	25	32	50	80	360	112	140	50	14	100	100	70	190	140	14	267	24	50	27	8	140										
EU32/16						132	160						240	190																	
EU32/20						160	180						320	250																	
EU32/26						180	225						65	320								250									
EU40/13	35	40	65	80	360	112	140	50	14	100	100	70	210	160	14	267	24	50	27	8	140										
EU40/16						132	160						240	190																	
EU40/20						160	180						265	212																	
EU40/26						180	225						65	320								250									
EU40/32	35	65	125	470	500	200	250	65	14	110	125	95	345	280	14	342	32	80	35	10	140										
EU40/32H						500	200						250	345		280						370									
EU50/13	25	50	80	100	360	132	160	50	14	100	100	70	240	190	14	267	24	50	27	8	140										
EU50/16						160	180						265	212																	
EU50/20						180	225						320	250																	
EU50/26						180	225						320	250																	
EU50/32	35	65	125	470	500	225	280	65	14	110	125	95	345	280	14	342	32	80	35	10	140										
EU50/32H						500	225						280	345		280						370									
EU65/13	25	65	80	100	360	160	180	65	16	110	125	95	280	212	18	342	32	80	35	10	140										
EU65/16						180	200						360	280																	
EU65/20						180	225						320	250																	
EU65/26						180	225						320	250																	
EU65/32	35	65	125	470	500	200	250	65	16	110	160	120	360	280	18	342	32	80	35	10	140										
EU65/32H						530	225						280	80		16						160	120	400	315	370	42	110	45	12	
EU80/16	25	80	100	125	360	180	225	65	14	110	125	95	320	250	14	267	24	50	27	8	140										
EU80/20						250	280						345	280																	
EU80/26	35	65	125	470	500	200	280	65	14	110	160	120	400	315	18	342	32	80	35	10	140										
EU80/32						250	315						345	280																	
EU80/32H	45	65	125	530	500	280	355	65	16	110	160	120	435	355	18	370	42	110	45	12	140										
EU80/40						280	355						435	355																	
EU100/20	35	100	125	140	470	200	280	80	16	110	160	120	360	280	18	342	32	80	35	10	140										
EU100/26						225	280						400	315																	
EU100/32						250	315						400	315																	
EU100/40						530	280						355	100								16	200	150	500	400	22	370	42	110	45
EU125/20	35	125	150	140	470	250	315	80	16	110	160	120	400	315	18	342	32	80	35	10	140										
EU125/26						355	315						400	315																	
EU125/32	45	125	150	140	530	280	355	100	18	110	200	150	500	400	22	370	42	110	45	12	140										
EU125/40						315	400						400	315																	
*EU125/50	160	630	355	450	120	35	180	250	180	620	500	26	400	55	160																
EU150/26	45	150	200	160	530	280	375	100	18	110	200	150	500	400	22	370	42	110	45	12	180										
EU150/32						315	450						550	450																	
EU150/40						630	355						500	120								35	180	250	180	670	550	20	400	55	
*EU150/50						630	355						500	120								35	180	250	180	670	550	20	400	55	
*EU200/26	60	200	250	180	550	280	400	100	25	180	200	150	550	450	20	340	42	110	45	12	180										
*EU200/32						315	450						630	355								120	35	180	250	180	620	500	20	410	55
*EU200/40						630	355						500	120								35	180	250	180	620	500	20	410	55	
*EU200/50						630	355						500	120								35	180	250	180	620	500	20	410	55	
*EU250/32	55	250	300	200	670	355	525	100	24	110	250	175	600	500	23	511	48	110	45	12	200										
*EU250/40	250					400	500						120	25								300	250	710	600	24	55				
*EU250/50	240					875	425						545	160								30	140	300	240	720	600	27	625	70	140
*EU250/50	240					875	425						545	160								30	140	300	240	720	600	27	625	70	140

* Pumps dimension may vary, please refer to manufacturer.

Flange mating dimensions to DIN 2501

PN 10

DN ₂ / DN ₁	32	40	50	65	80	100	125	150	200
D	140	150	165	191	200	235 229	270 254	300 285	343
K	100	110	125	145	160	160	210	240	295
d ₂ x number	18 x 4	18 x 4	18 x 4	18 x 4	18 x 8	18 x 8	18 x 8	22 x 8	22 x 8

The outside diameters and thickness of the flanges in some cases differ from DIN 2532 PN 10 RF